



# COLLINEAR 6 dB OMNIDIRECTIONAL ANTENNA 872...960 MHz

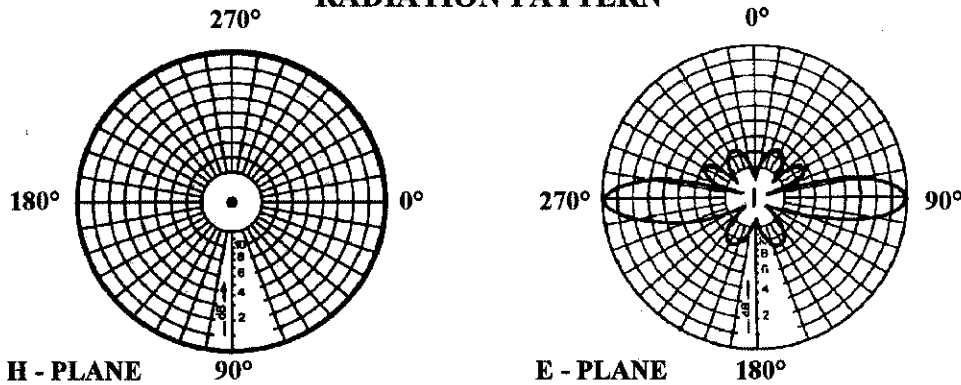
R-F 630 NJ

Fiberglass, vibration proof, base station antenna designed for service of public conversation ETAX-GSM. The materials used for its manufacture are galvanically compatible in order to minimize corrosion phenomenae and suited to extreme environmental conditions.

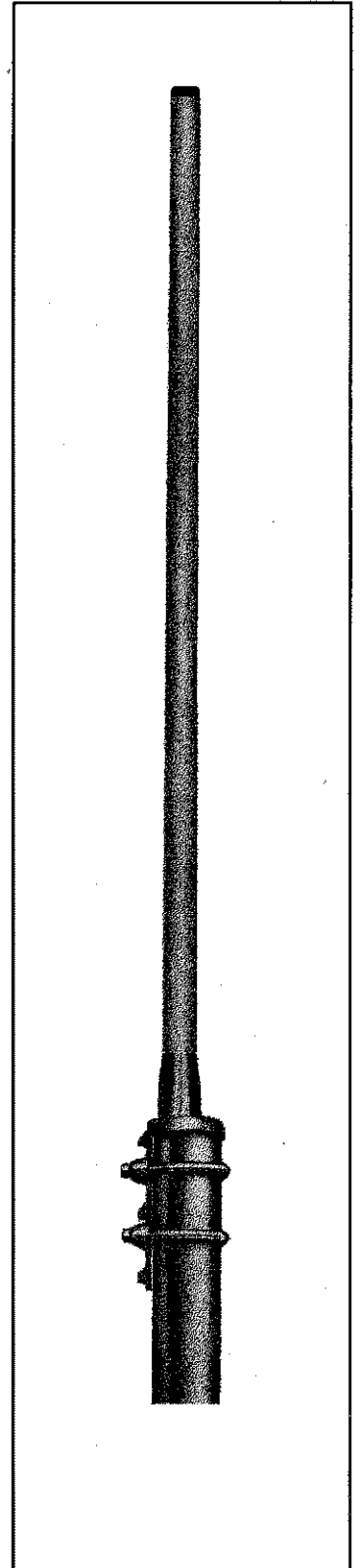
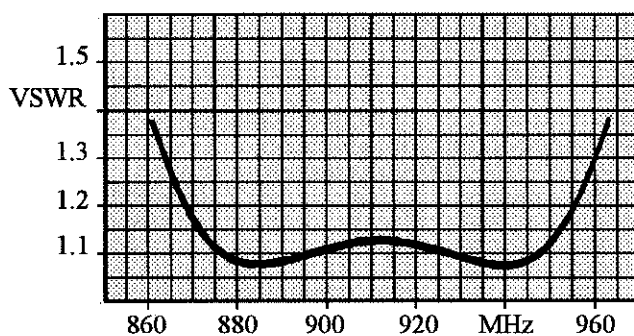
## MAIN CHARACTERISTICS

Frequency range	: 872 to 960 MHz
Input impedance	: 50 ohm
V.S.W.R.	: < 1.50 : 1.00
Maximum rated RF power	: 100 watt
Polarization	: Vertical
Gain	: 6 dB over 1/2 wave dipole
Beamwidth at -3 dB	: 14° E-plane
Type of connection	: N female
Ligthning protection	: All parts DC grounded (feed included)
Mounting	: Mounting bracket for mast diam. 30-60 mm in aluminium alloy DIN 1725 with chemical conversion coating MIL-C-5541C and acrylic lacquer
Hardware	: V-bolt, washer and selflock nut stainless steel AISI 304
Radome material	: Fiberglass with polyurethanic white varnish (U.V. resistant)
Elements material	: Brass passivated
Temperature range	: -35° to +80° Celsius
Wind loading (160 km/h)	: 76 N.m (50% load due to snow)
Dimensions	: Ø 25 x 1410 mm
Net weight	: 1.4 kg (V-bolt, washer and selflock nut included)
Packing	: 105 x 135 x 1530 mm (carton)
Gross weight	: 2.3 kg

## RADIATION PATTERN

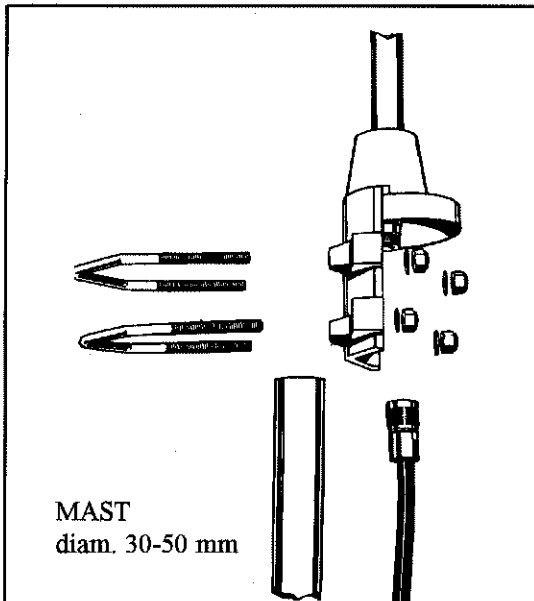


## VSWR CURVE

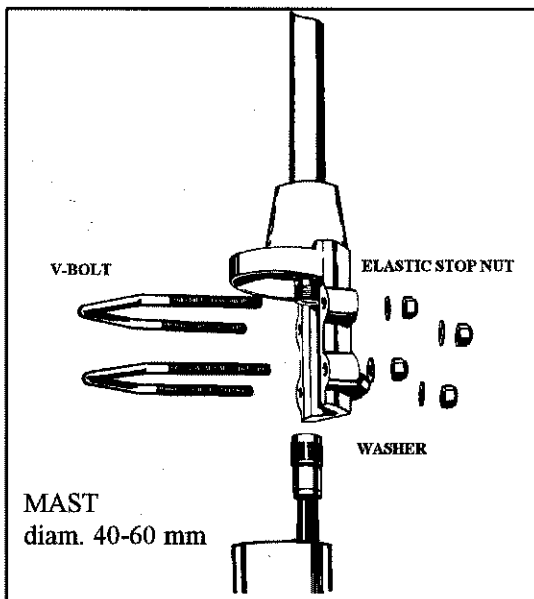


# MOUNTING LAYOUT

## FEEDLINE OUTSIDE THE SUPPORTING MAST



## FEEDLINE INSIDE THE SUPPORTING MAST



We reserve the right to modify any constructive detail without any notice.  
The present leaflet cannot be reproduced without our written permission.

**RAC** RADIO ANTENNA COMMUNICATIONS  
RAC s.r.l. - Via G. di Vittorio, 5  
20016 Pero - Milano (ITALY)  
Tel. (+39) 02 / 33.91.11.38  
Fax (+39) 02 / 35.81.075